

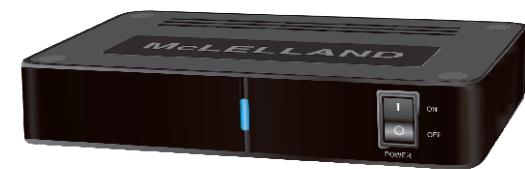
McLELLAND

WIRELESS SPEAKER KIT WITH
SUBWOOFER OUTPUT

Please read this user's guide before using your new speaker kit.

User's Guide

UWA-S



Package Contents

- Transmitter
- Receiver
- 9V AC Adapter
- 15V AC Adapter
- Stands (2)
- 6-foot speaker wire (2)
- User's Guide

Features

- 2.4GHz digital wireless link provides crystal-clear audio signals.
- 34-channel selection.
- Up to 100 feet (30.5m) operation distance between transmitter and receiver (line of sight).

Install the Transmitter

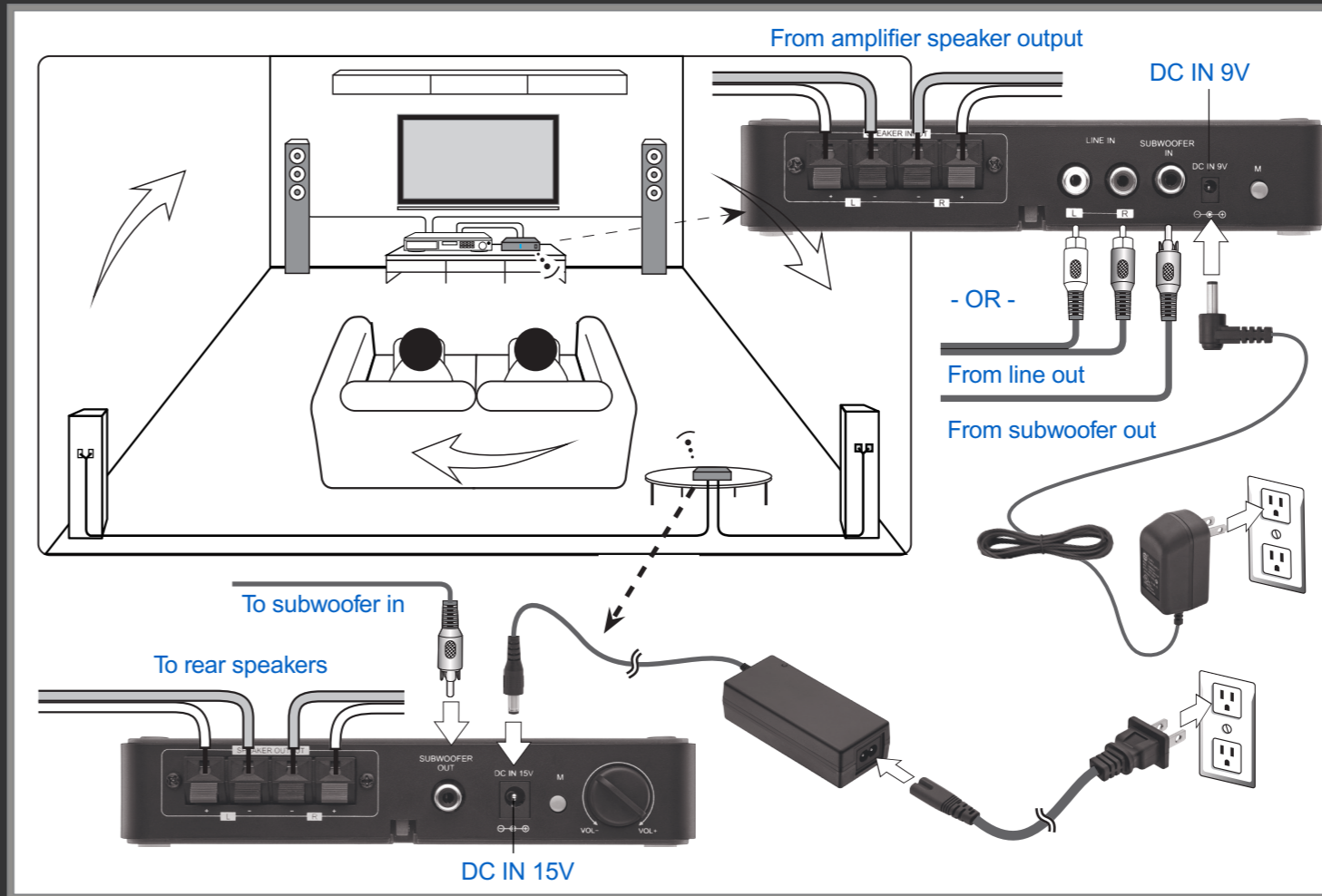
1. Make sure your amplifier is off. Connect the transmitter to your amplifier's speaker output terminals with the provided 6-foot speaker wire, matching polarities. Or connect your transmitter to the amplifier's RCA output ports with RCA cables (not included).
2. Connect the supplied AC adapter (9V, 200mA) to the DC IN 9V jack, then plug it into a standard household outlet.

Install the Receiver

1. Connect the rear speakers to the receiver with speaker wires, matching polarities.
2. Connect the supplied AC adapter (15V, 4A) to the DC IN 15V jack, and then plug it into a standard household outlet.

Note:

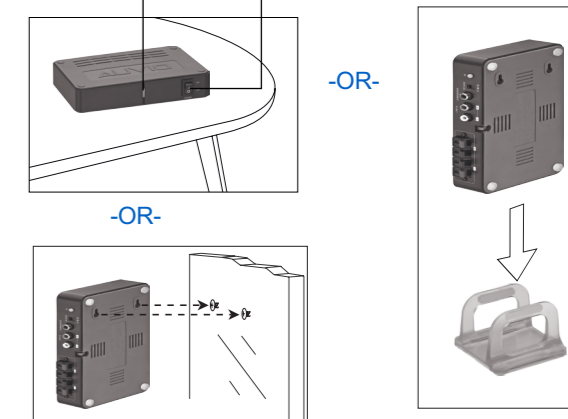
- Make sure the exposed tips of the speaker wires do not touch each other, and make sure they are fully inserted into the terminals.
- This speaker kit is designed for connecting to your amplifier surround speaker terminals only.
- For speaker wires that have proprietary connectors, you may need to strip the end of the wires to allow connection to the receiver. However, check with the speaker manufacturer before doing this, as it may void the warranty.
- When the RCA cables are connected, audio input from the speaker terminal will be mixed.
- Unplug the AC adapters from the AC outlet before unplugging it from the transmitter or receiver.
- Use the supplied AC adapters only. Using an AC adapter not designed for this product may cause damage.



Place the Transmitter and Receiver

The transmitter and receiver must be placed within 100 feet for proper operation. They can be placed horizontally on a flat surface, vertically in the provided stands, or mounted on a wall using the mounting holes on the bottom.

LED Indicator Power on/off



Note :

If you need to mount the receiver on a wall, install it against the wall in such a way that the ventilation slots are not blocked.

To optimize the reception performance, place the transmitter and receiver in the same orientation.

Use Your Speaker Kit

1. Once the AC adapters are connected, the receiver LEDs light green. The speaker kit enters standby mode.
2. Turn on your amplifier and then play the audio or video source through your amplifier.
3. When an audio signal is detected by the transmitter and the transmitter signal is detected by the receiver, the speaker kit will automatically go into active mode. The transmitter and receiver LEDs will both turn blue.

Note : After powering on, if there is no signal input within 17 minutes , the speaker kit enters standby mode.

Change the Channel

If you experience any interference, press and hold the M button on both units. The units will then automatically pair.



Adjust the Volume Balance

1. Power on the transmitter and receiver, and then turn on the amplifier and adjust it to your normal listening level.
2. Adjust the receiver's VOL +/- control to balance the front and rear speaker sound level. This step is only necessary during first-time installation of the speaker kit with your system.
3. After balance setup, simply use the volume control on your amplifier to adjust speaker volume during playback.



Optimize Your Surround Sound

Many surround-sound systems let you adjust the delay between the front and rear speakers. To optimize your setup, adjust the rear speaker delay response by about 20 milliseconds.

Specifications

Audio Output Level	Subwoofer out: 2 V
.....	Speaker out: 25W (Load at 4Ω)
Input Sensitivity	Line in: 1V
.....	Subwoofer in: 2 V
.....	Speaker in: 10V
Frequency Response	Subwoofer: 20Hz-200Hz
.....	Speaker: 20Hz-20kHz
Audio Distortion	Subwoofer: <1%
.....	Speaker: <10%
Signal to Noise Ratio	>80dB
Operation Distance	100 ft (30.5m)
Dimensions (H×W×D)	6.9 X 3.9 X 1.6 inch
.....	175×100×32mm
Weight	3.3 lb. (1.5kg)

Specifications are subject to change and improvement without notice. Actual product may vary from the images found in this document.

FCC Information

This equipment has been tested and found to comply with the limits for a Class B digital device, pursuant to Part 15 of the FCC Rules. These limits are designed to provide reasonable protection against harmful interference in a residential installation. This equipment generates, uses and can radiate radio frequency energy and, if not installed and used in accordance with the instructions, may cause harmful interference to radio communications. However, there is no guarantee that interference will not occur in a particular installation. If this equipment does cause harmful interference to radio or television reception, which can be determined by turning the equipment off and on, the user is encouraged to try to correct the interference by one or more of the following measures:

- ④ Reorient or relocate the receiving antenna.

- Increase the separation between the equipment and receiver.
 - Connect the equipment into an outlet on a circuit different from that to which the receiver is connected.
 - Consult the dealer or an experienced radio/TV technician for help.
- If you cannot eliminate the interference, the FCC requires that you stop using your product. Changes or modifications not expressly by the party responsible for compliance could void the user's authority to operate the equipment.

This device complies with Part 15 of the FCC Rules. Operation is subject to the following two conditions: (1) This device may not cause harmful interference, and (2) this device must accept any interference received, including interference that may cause undesired operation.

Limited Warranty

Ignition L.P. warrants this product against defects in materials and workmanship under normal use by the original purchaser for ninety (90) days after the date of purchase. IGNITION L.P. MAKES NO OTHER EXPRESS WARRANTIES.

This warranty does not cover: (a) damage or failure caused by or attributable to abuse, misuse, failure to follow instructions, improper installation or maintenance, alteration, accident, Acts of God (such as floods or lightning), or excess voltage or current; (b) improper or incorrectly performed repairs by persons who are not a Ignition L.P. Authorized Service Facility; (c) consumables such as fuses or batteries; (d) ordinary wear and tear or cosmetic damage; (e) transportation, shipping or insurance costs; (f) costs of product removal, installation, set-up service, adjustment or reinstallation; and (g) claims by persons other than the original purchaser.

Should a problem occur that is covered by this warranty, take the product and the sales receipt as proof of purchase date to the place of purchase. Ignition L.P. will, at its option, unless otherwise provided by law: (a) repair the product without charge for parts and labor; (b) replace the product with the same or a comparable product; or (c) refund the purchase price. All replaced parts and products, and products on which a refund is made, become the property of Ignition L.P. New or reconditioned parts and products

may be used in the performance of warranty service. Repaired or replaced parts and products are warranted for the remainder of the original warranty period. You will be charged for repair or replacement of the product made after the expiration of the warranty period.

IGNITION L.P. EXPRESSLY DISCLAIMS ALL WARRANTIES AND CONDITIONS NOT STATED IN THIS LIMITED WARRANTY. ANY IMPLIED WARRANTIES THAT MAY BE IMPOSED BY LAW, INCLUDING THE IMPLIED WARRANTY OF MERCHANTABILITY AND, IF APPLICABLE, THE IMPLIED WARRANTY OF FITNESS FOR A PARTICULAR PURPOSE, SHALL EXPIRE ON THE EXPIRATION OF THE STATED WARRANTY PERIOD.

EXCEPT AS DESCRIBED ABOVE, IGNITION L.P. SHALL HAVE NO LIABILITY OR RESPONSIBILITY TO THE PURCHASER OF THE PRODUCT OR ANY OTHER PERSON OR ENTITY WITH RESPECT TO ANY LIABILITY, LOSS OR DAMAGE CAUSED DIRECTLY OR INDIRECTLY BY USE OR PERFORMANCE OF THE PRODUCT OR ARISING OUT OF ANY BREACH OF THIS WARRANTY, INCLUDING, BUT NOT LIMITED TO, ANY DAMAGES RESULTING FROM INCONVENIENCE AND ANY LOSS OF TIME, DATA, PROPERTY, REVENUE, OR PROFIT AND ANY INDIRECT, SPECIAL, INCIDENTAL, OR CONSEQUENTIAL DAMAGES, EVEN IF IGNITION L.P. HAS BEEN ADVISED OF THE POSSIBILITY OF SUCH DAMAGES.



Complies with the European Union's "Restriction of Hazardous Substances Directive," which protects the environment by restricting specific hazardous materials and products.

McLELLAND
www.mclellandmusic.com

